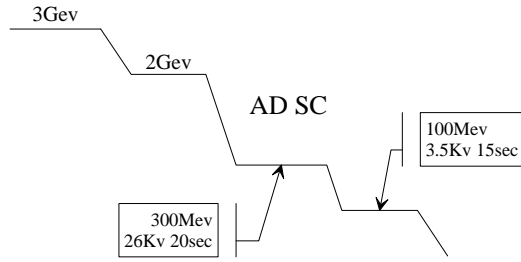
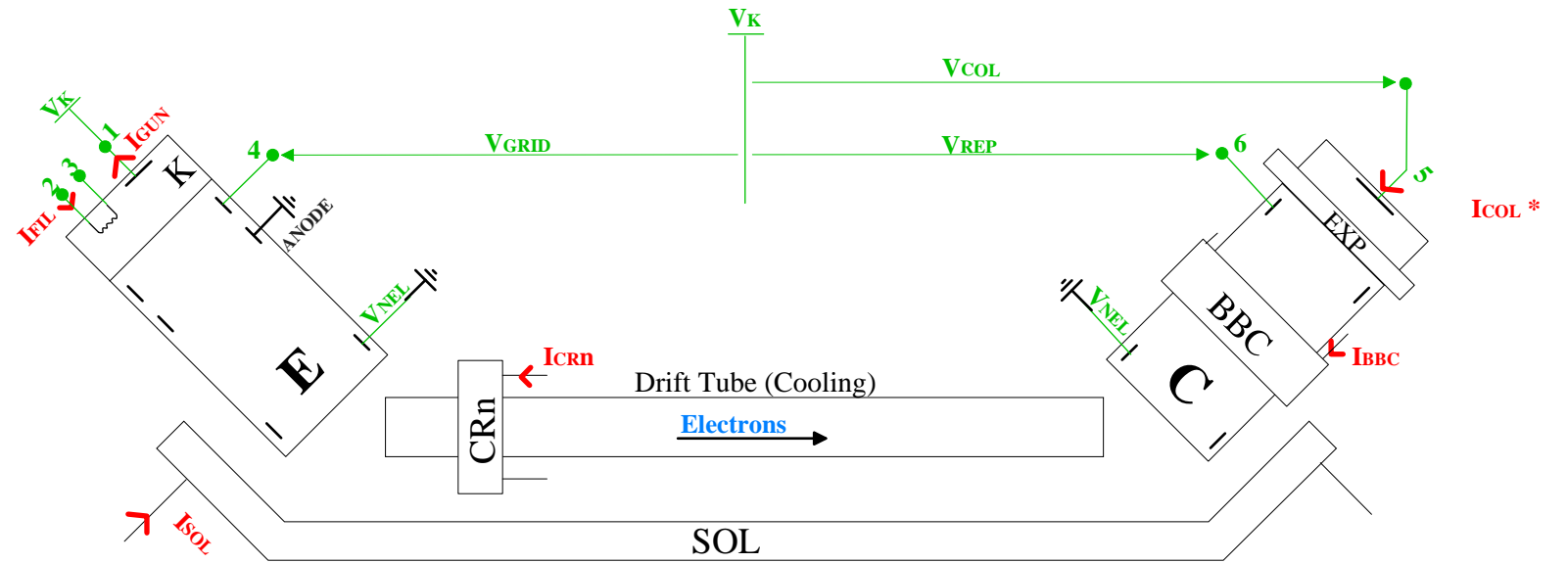


POWER DIAGRAM ECOOLING AD

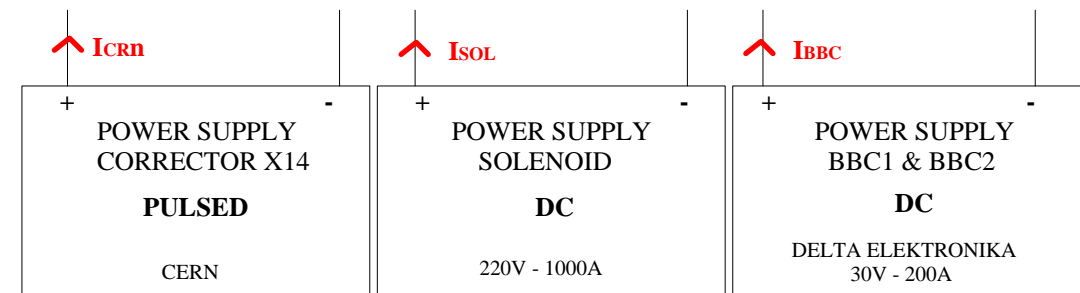
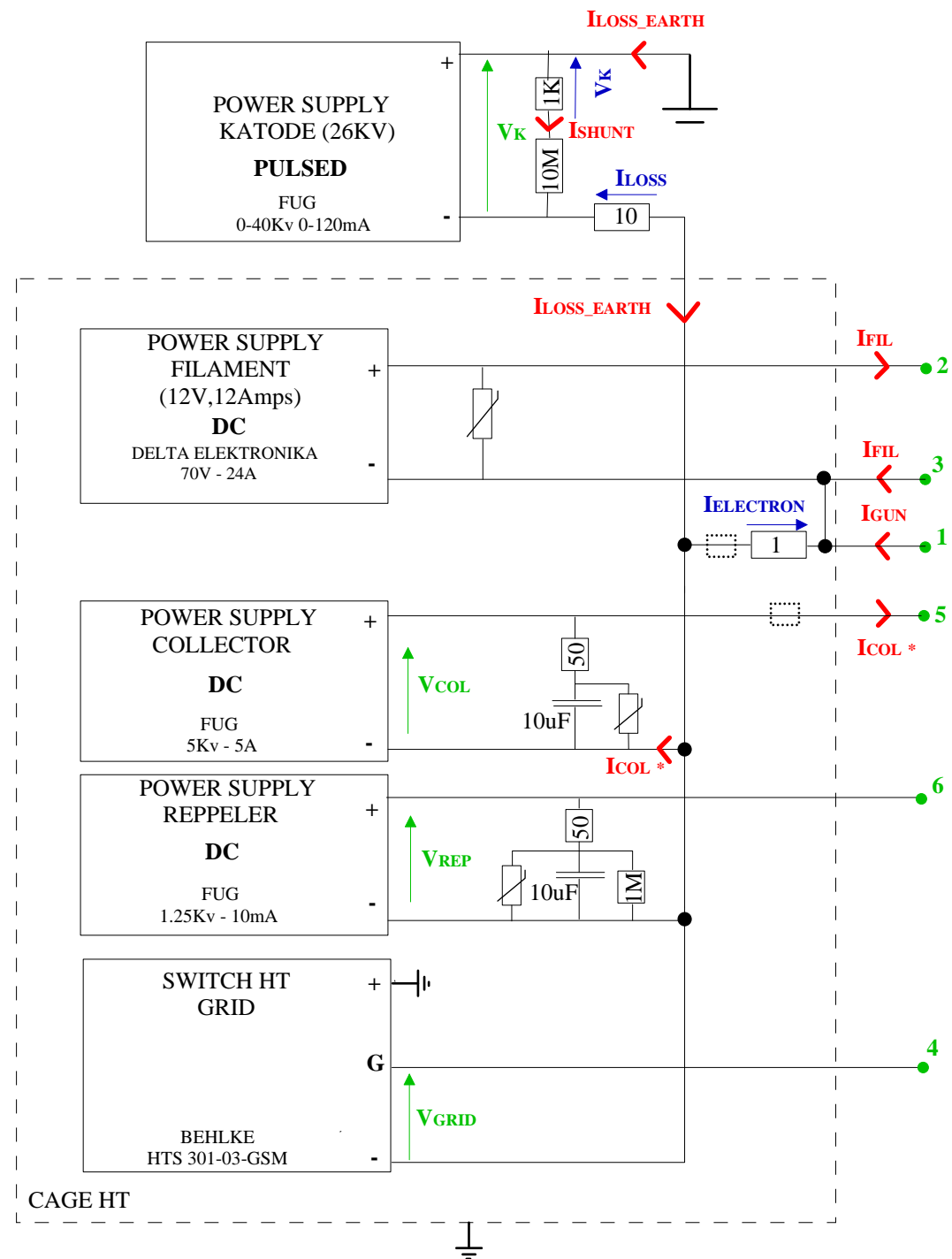
AF 2015



$I_{GUN} = P \cdot V^{-3/2}$
 $P = \text{Gun Geometry} = Cst = 0.58 \cdot 10^{-6}$
 $V = V_K - V_{GRID} = V_K$



● CONNECTION POINT



$I_{COL} = I_{GUN} + \Sigma I_{LOSS}$
 $\Sigma I_{LOSS} = I_{LOSS_EARTH} + I_{LOSS_ELECTRODES}$

MAGNETS	
SOL	Solenoid
BBC	Big Bobine de Compression
CRn	Corrector (n=1..22)
EXP	Expansion

ELECTRODES	
K	Cathode
COL	Collector
REP	Repeller
GRID	Grid
NEL	Neutralisation