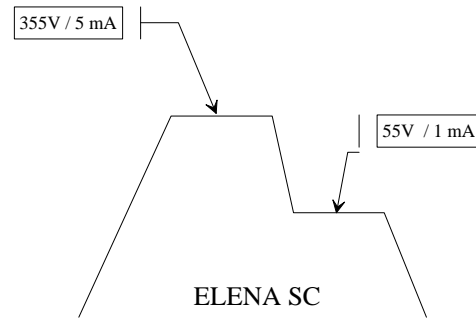
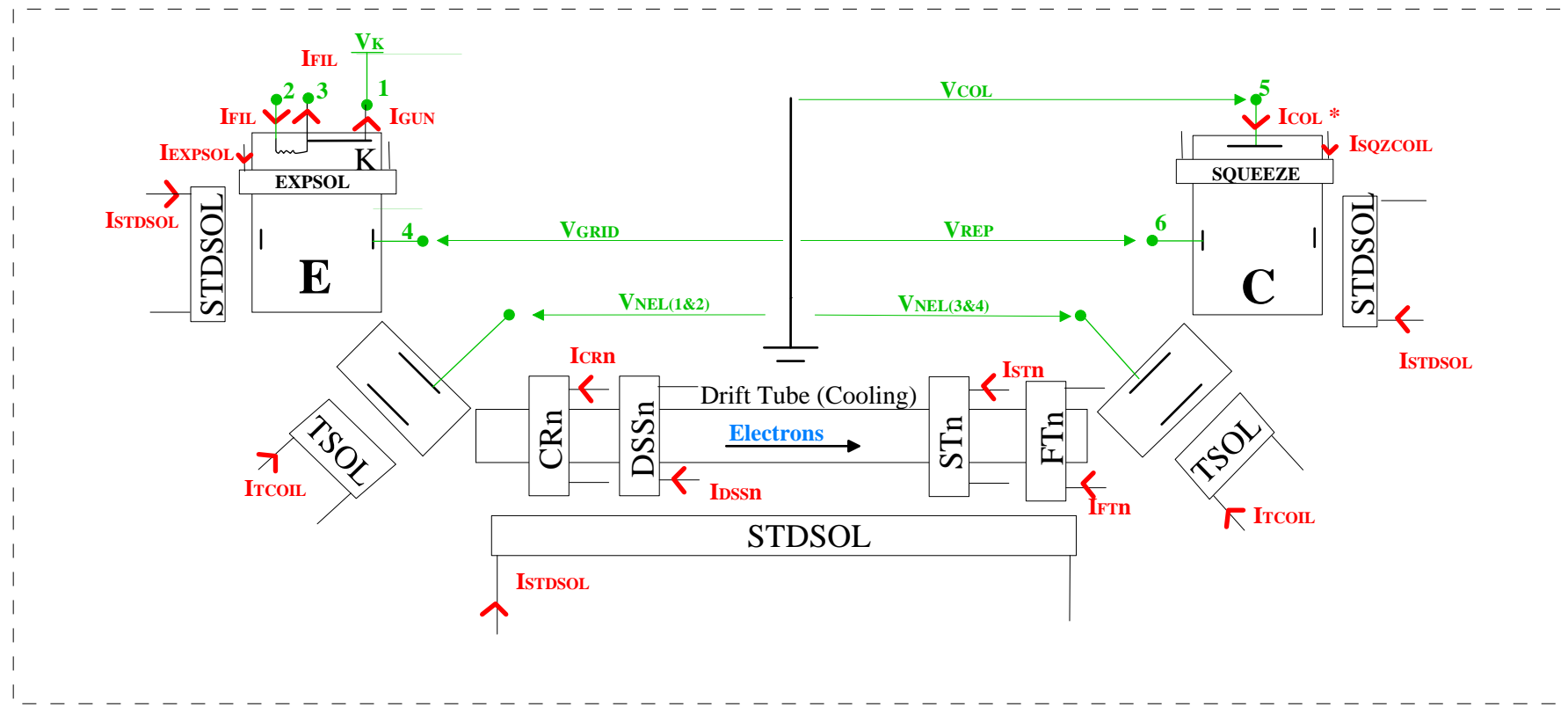
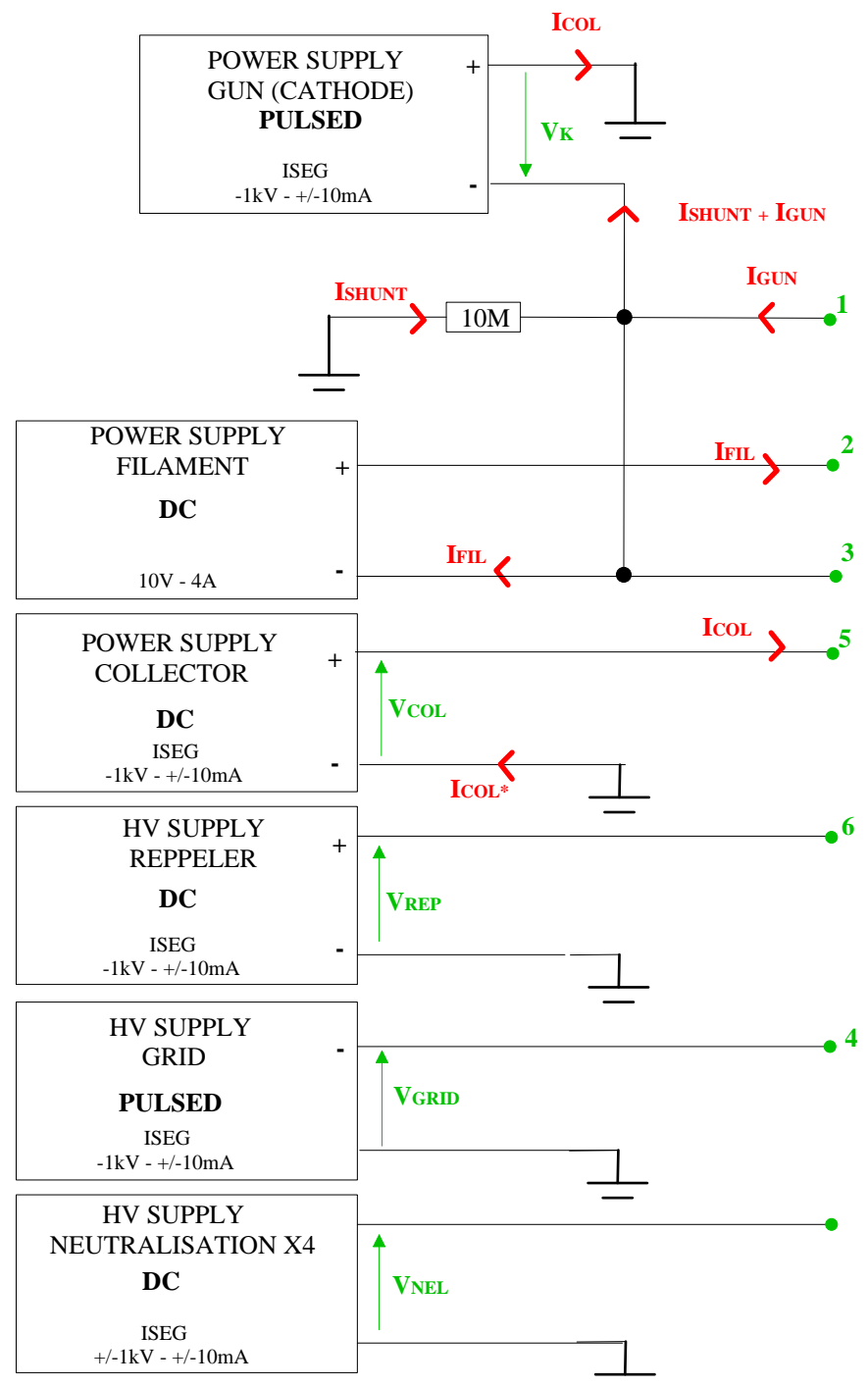


# POWER DIAGRAM ECOOLING ELENA

AF 2015

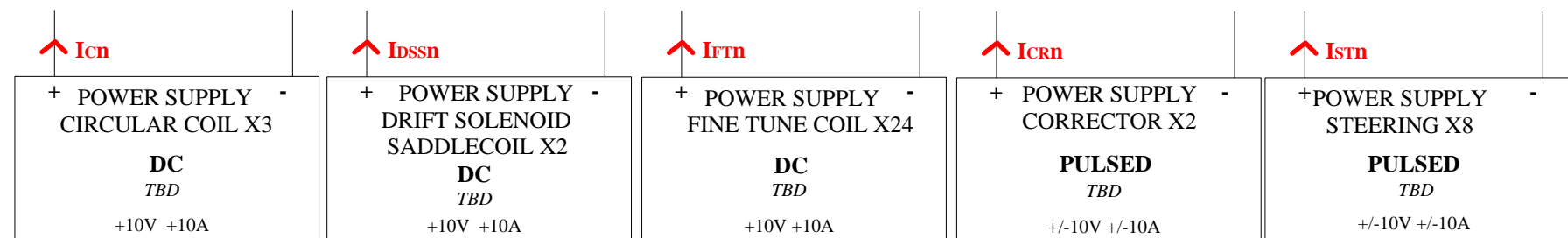
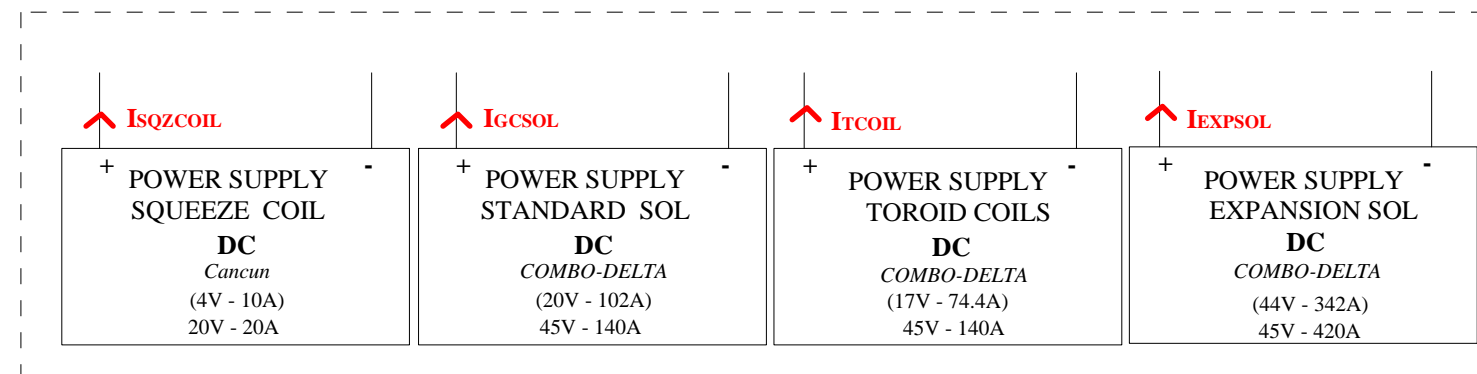


ELENA SC



● CONNECTION POINT

\*  $I_{COL} = I_{GUN} + \Sigma I_{LOSS}$



MAGNETS	
TCOIL	Toroid Coils
STDSOL	Standard Solenoid
EXPSOL	Drift Solenoid
SQZCOIL	Squeeze Coil
CRn	Corrector (1..2)
STn	Steering (n=1..8)
FTn	Fine Tune Coils (n=1..24)
DSSn	Drift Solenoid Saddle Coils (n=1..24)
Cn	Circular Coils (n=1..3)

ELECTRODES	
K	Cathode
COL	Collector
REP	Repeller
GRID	Grid (Anode)
NEL	Neutralisation